



PILOT
— SEATING —

**AGRICULTURAL
EQUIPMENT
SEATS**





ABOUT US

Pilot Seating was established in 1963 doing body work for buses. First seat production started in 1967 with driver seats for Mercedes Benz (Otomarsan - Turkey). Pilot Seating manufactures driver, construction, agricultural, material handling, passenger, marine and railway seats.

Pilot Seating manufactures in a modern, integrated, purpose built 20.000m² factory including in-house R&D and testing. Pilot also has a separate tooling plant and both plants are located in the industrial zone in Bursa, Turkey. The factory has the ISO9001, IATF16949, ISO14001 and ISO45001 certifications. All the activities including R&D, design and prototype manufacturing, tooling of all seats and parts up to serial production with extensive manufacturing capabilities and in-house validation testing give Pilot flexibility and speed.

This comprehensive and wholly integrated manufacturing and tooling capability allows Pilot Seating to bring new projects to serial production very quickly and / or easily make changes on our standard ranges as well as supplying high quality production consistently and in a timely fashion to our customers. All our seats are extensively and continuously tested for performance and durability and are certified according to applicable ISO and EU standards. Today, Pilot Seating is a well-known brand in seating industry, supplying to OEM and aftermarket customers in various sectors all over the world.

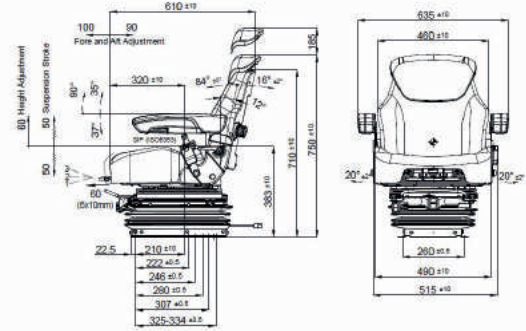
- Driver Seats
- Construction Seats
- Agricultural Seats
- Material Handling Seats
- Passenger Seats
- Marine Seats
- Railway Seats



Air suspension	N/A
Air suspension with 12V or 24V built-in compressor	●
Mechanical suspension	▲
Weight adjustment	Automatic up to 150kgs.
Suspension stroke	100mm
Height adjustment	60mm
Turn Table	●
Adjustable shock absorber	▲
Slide travel	190mm
Lumbar adjustment	▲
Horizontal isolator	●
Adjustable / Foldable armrests	▲
Adjustable headrest	●
Backrest adjustment	●
Seat cushion tilt adjustment	●
Seat cushion depth adjustment	●
Vinyl trim (Cut&Sew)	▲
Cloth trim (Cut&Sew)	●
Vinyl trim (Vacuum type)	▲ Order P150/EA160DLF
Cloth trim (Vacuum type)	▲ Order P150/EA160DLF
3-point seat belt	N/A
2-point seat belt	▲
Document box-pouch	▲
Front Controls (except backrest recline handle)	●
LH Controls	N/A
RH Controls	N/A
Heater	▲
Operator presence switch	▲
Slides between seat top and suspension	●
Standard connection widths	260mm
Optional connection widths	280mm (Order ----/CEA160DLF)
Testing	EU 1322/2014 Annex XIV - Class I, II, III - ECE R16.08 ISO 3795 - ISO 7096 EM5, EM3



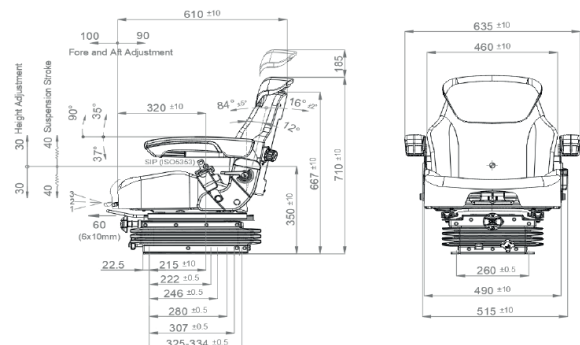
TRIMACT Lowback Deluxe P155/EA160DLF



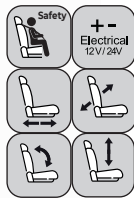
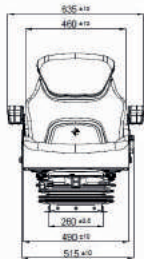
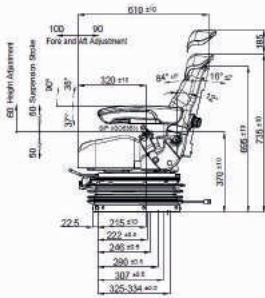
Air suspension	N/A
Air suspension with 12V or 24V built-in compressor	▲
Mechanical suspension	●
Weight adjustment	Manual up to 150kgs.
Suspension stroke	80mm
Height adjustment	60mm
Turn Table	▲
Adjustable shock absorber	N/A
Slide travel	190mm
Lumbar adjustment	▲
Horizontal isolator	N/A
Adjustable / Foldable armrests	▲
Adjustable Headrest	●
Backrest adjustment	●
Seat cushion tilt adjustment	●
Seat cushion depth adjustment	●
Vinyl trim (Cut&Sew)	▲
Cloth trim (Cut&Sew)	●
Vinyl trim (Vacuum type)	▲ Order P140/M110X
Cloth trim (Vacuum type)	▲ Order P140/M110X
3-point seat belt	N/A
2-point seat belt	▲
Document box-pouch	▲
Front Controls (except backrest recline handle)	●
LH Controls	N/A
RH Controls	N/A
Heater	▲
Operator presence switch	▲
Slides between seat top and suspension	●
Standard connection widths	260mm
Optional connection widths	280mm (Order ----/CM110X)
Testing	EU 1322/2014 Annex XIV - Class I, II, III ECE R16.08 - ISO 3795 - ISO 7096 EM3, EM5, EM6



TRIMACT Lowback Comfort P145/M110X



Air suspension	N/A
Air suspension with 12V or 24V built-in compressor	●
Mechanical suspension	▲
Weight adjustment	Automatic up to 150kgs.
Suspension stroke	100mm
Height adjustment	60mm
Turn Table	▲
Adjustable shock absorber	▲
Slide travel	190mm
Lumbar adjustment	▲
Horizontal isolator	●
Adjustable / Foldable armrests	▲
Adjustable headrest	●
Backrest adjustment	●
Seat cushion tilt adjustment	N/A
Seat cushion depth adjustment	N/A
Vinyl trim (Cut&Sew)	▲ Order P135/EA160DLF
Cloth trim (Cut&Sew)	▲ Order P135/EA160DLF
Vinyl trim (Vacuum type)	●
Cloth trim (Vacuum type)	▲
3-point seat belt	N/A
2-point seat belt	▲
Document box-pouch	▲
Heater	▲
Operator presence switch	▲
Slides between seat top and suspension	●
Standard connection widths	260mm
Optional connection widths	280mm (Order ----/CEA160DLF)
Testing	EU 1322/2014 Annex XIV- Class I, II, III - ECE R16.08-ISO 3795-ISO 7096 EM3, EM5

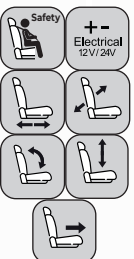
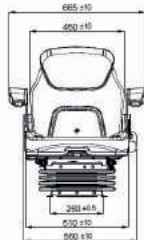
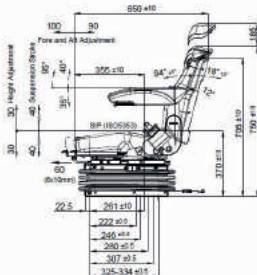


TRIMACT

Lowback Basic P130/EA160DLF



Air suspension	N/A
Air suspension with 12V or 24V built-in compressor	●
Mechanical suspension	▲
Weight adjustment	Automatic up to 150kgs.
Suspension stroke	80mm
Height adjustment	60mm
Turn Table	▲
Adjustable shock absorber	▲
Slide travel	190mm
Lumbar adjustment	▲
Horizontal isolator	▲
Adjustable / Foldable armrests	▲
Adjustable headrest	●
Backrest adjustment	●
Seat cushion depth adjustment	●
Vinyl trim (Vacuum type)	●
Cloth trim (Vacuum type)	▲
3-point seat belt	N/A
2-point seat belt	▲
Document box-pouch	▲
Heater	▲
Operator presence switch	▲
Slides between seat top and suspension	●
Standard connection widths	260mm
Optional connection widths	280mm (Order ----/CEA140)
Testing	EU 1322/2014 Annex XIV - Class I, II, III - ECE R16.08 - ISO 3795

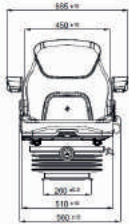
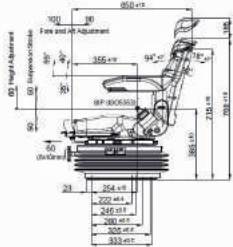


AGROMACT

Air P120/EA140



Air suspension	▲
Air suspension with 12V or 24V built-in compressor	▲
Mechanical suspension	●
Weight adjustment	Manual up to 150kgs.
Suspension stroke	100mm
Optional suspension stroke	60 mm - 80 mm
Height adjustment	60mm
Turn Table	▲
Adjustable shock absorber	N/A
Slide travel	190mm
Lumbar adjustment	▲
Adjustable / Foldable armrests	▲
Adjustable headrest	●
Backrest adjustment	●
Seat cushion tilt adjustment	●
Seat cushion depth adjustment	●
Vinyl trim (Vacuum type)	●
Cloth trim (Vacuum type)	▲
3-point seat belt	N/A
2-point seat belt	▲
Document box-pouch	▲
LH Controls	●
RH Controls	▲
Heater	▲
Operator presence switch	▲
Slides between seat top and suspension	●
Standard connection widths	260mm
Optional connection widths	280mm (Order ----/CM100H)
Testing	EU 1322/2014 Annex XIV - Class I, II, III - ECE R16.08 - ISO 3795

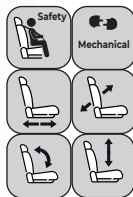
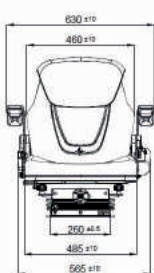
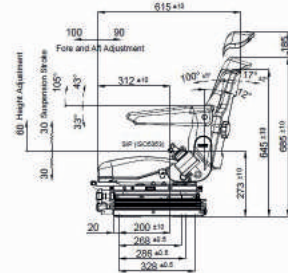


AGROMACT

Mechanical P120/M100H



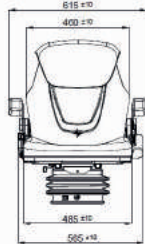
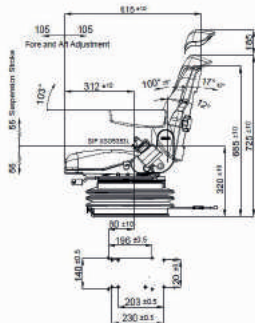
Air suspension	N/A
Air suspension with 12V or 24V built-in compressor	▲
Mechanical suspension	●
Weight adjustment	Manual up to 150kgs.
Suspension stroke	60mm
Height adjustment	60mm
Turn Table	▲
Slide travel	190 mm
Lumbar adjustment	▲
Adjustable / Foldable armrests	▲
Adjustable headrest	▲
Backrest adjustment	●
Vinyl trim (Vacuum type)	●
Cloth trim (Vacuum type)	▲
3-point seat belt	N/A
2-point seat belt	▲
Document box-pouch	▲
Heater	▲
Operator presence switch	▲
Slides between seat top and suspension	●
Standard connection widths	260mm
Optional connection widths	280mm - 320mm
Testing	EU 1322/2014 Annex XIV - Class I, II, III - ECE R16.08 - ISO 3795



P100/M61X



Air suspension	N/A
Air suspension with 12V or 24V built-in compressor	▲
Mechanical suspension	●
Weight adjustment	Manual up to 150kgs.
Suspension and Height adjustment	110 mm
Turn Table	▲
Slide travel	210 mm
Lumbar adjustment	▲
Adjustable / Foldable armrests	▲
Adjustable headrest	▲
Backrest adjustment	●
Vinyl trim (Vacuum type)	●
Cloth trim (Vacuum type)	●
3-point seat belt	N/A
2-point seat belt	▲
Document box-pouch	▲
Heater	▲
Operator presence switch	▲
Slides between seat top and suspension	●
Standard connection widths	120 mm and 140 mm
Testing	EU 1322/2014 Annex XIV - Class I, II - ECE R16.08 - ISO 3795

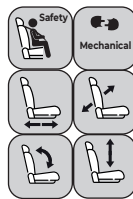
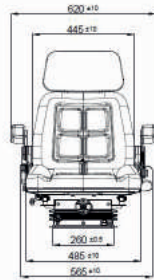
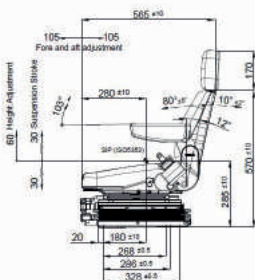


COMPACT

Air
P100/KEA80



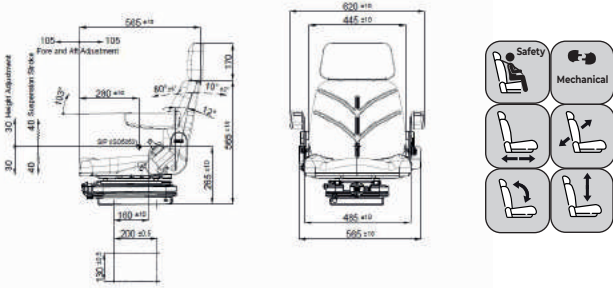
Air suspension	N/A
Air suspension with 12V or 24V built-in compressor	▲
Mechanical suspension	●
Weight adjustment	Manual up to 150kgs.
Suspension stroke	60mm
Height adjustment	60mm
Turn Table	▲
Slide travel	210mm
Lumbar adjustment	▲
Adjustable / Foldable armrests	▲
Headrest	▲
Backrest adjustment	●
Vinyl trim (Vacuum type)	●
Cloth trim (Vacuum type)	▲
3-point seat belt	N/A
2-point seat belt	▲
Document box-pouch	▲
Heater	N/A
Operator presence switch	▲
Slides between seat top and suspension	●
Standard connection widths	260mm
Optional connection widths	280mm - 320mm
Testing	EU 1322/2014 Annex XIV - Class I, II, III - ECE R16.08 - ISO 3795



P81/M61X



Air suspension	N/A
Air suspension with 12V or 24V built-in compressor	●
Mechanical suspension	▲
Weight adjustment	Manual up to 150kgs.
Suspension stroke	60mm
Height adjustment	30mm
Turn Table	▲
Slide travel	210 mm
Lumbar adjustment	▲
Adjustable / Foldable armrests	▲
Headrest	▲
Backrest adjustment	●
Vinyl trim (Vacuum type)	●
Cloth trim (Vacuum type)	▲
3-point seat belt	N/A
2-point seat belt	▲
Document box-pouch	▲
Heater	N/A
Operator presence switch	▲
Slides between seat top and suspension	●
Standard connection widths	130 mm
Testing	EU 1322/2014 Annex XIV - Class I, II, III - ECE R16.08 - ISO 3795

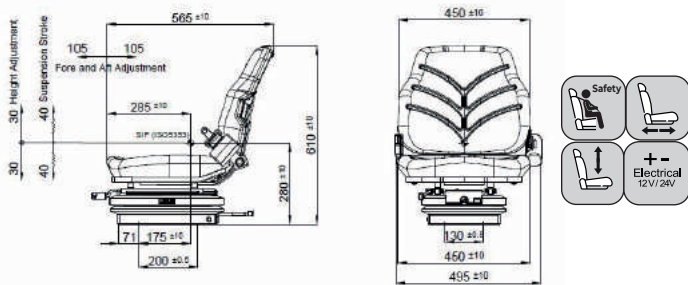


COMPACT

Mechanical P71/KM60X



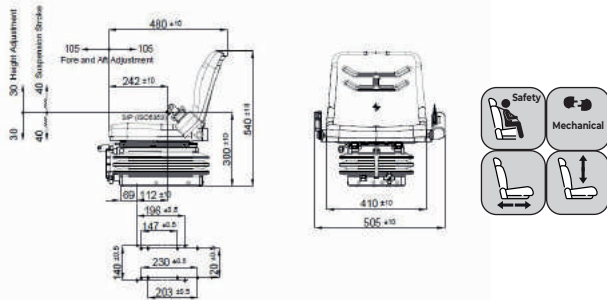
Air suspension	N/A
Air suspension with 12V or 24V built-in compressor	●
Mechanical suspension	▲
Weight adjustment	Manual up to 150kgs.
Suspension stroke	60mm
Height adjustment	30mm
Turn Table	▲
Adjustable shock absorber	N/A
Slide travel	210 mm
Fold-up armrests	▲
Backrest adjustment	N/A
Vinyl trim (Vacuum type)	●
Cloth trim (Vacuum type)	▲
2-point seat belt	▲
Document box-pouch	N/A
Heater	N/A
Operator presence switch	▲
Slides between seat top and suspension	●
Standard connection widths	130 mm
Testing	EU 1322/2014 Annex XIV Class I, II - ECE R16.08 - ISO 3795



BF34/KEA60



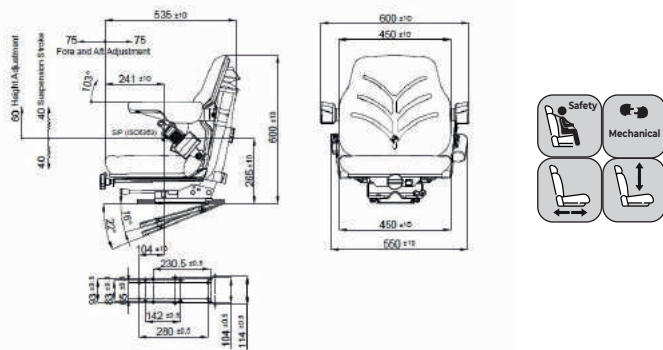
Air suspension	N/A
Air suspension with 12V or 24V built-in compressor	▲
Mechanical suspension	●
Weight adjustment	Manual up to 150kgs.
Suspension stroke	80mm
Height adjustment	60mm
Turn Table	▲
Slide travel	210 mm
Backrest adjustment	N/A
Vinyl trim (Vacuum type)	●
Cloth trim (Vacuum type)	▲
2-point seat belt	▲
Document box-pouch	N/A
Operator presence switch	▲
Slides between seat top and suspension	●
Standard connection widths	120 mm and 140 mm
Testing	EU 1322/2014 Annex XIV - Class I, II - ECE R16.08 - ISO 3795 ISO 7096 EM2,EM3,EM4,EM5,EM6,EM8,EM9



BU40/KM80X



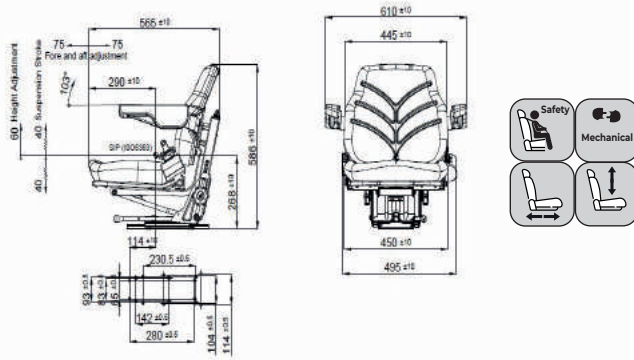
Air suspension with 12V or 24V built-in compressor	▲ Order T39/EAN80D
Mechanical suspension	●
Weight adjustment	Manual up to 130kgs.
Suspension stroke	80mm
Height adjustment	60mm
Adjustable Angle base plate	●
Slide travel	150mm
Fold-up armrests	▲
Backrest adjustment	N/A
Vinyl trim (Vacuum type)	●
Cloth trim (Vacuum type)	▲
2-point seat belt	▲
Document box-pouch	N/A
Operator presence switch	▲
Testing	ECE R16.08 - ISO 3795



ULTIMACT T30/MN80



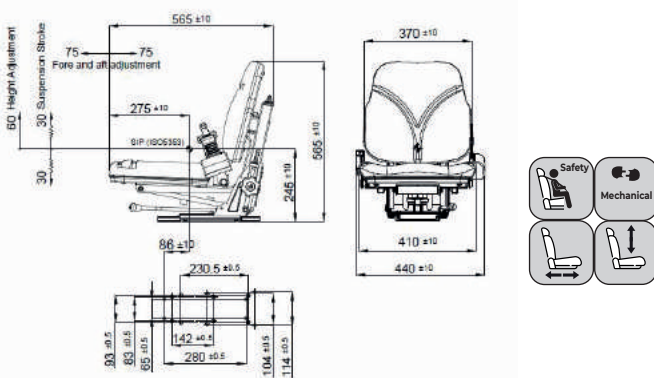
Air suspension with 12V or 24V built-in compressor	N/A
Mechanical suspension	●
Weight adjustment	Manual up to 130kgs.
Suspension stroke	80mm
Height adjustment	60mm
Slide travel	150mm
Fold-up armrests	▲
Backrest adjustment	N/A
Vinyl trim (Vacuum type)	●
Cloth trim (Vacuum type)	▲
2-point seat belt	▲
Document pouch	N/A
Operator presence switch	▲
Testing	EU 1322/2014 Annex XIV - Class I, II - ECE R16.08 - ISO 3795



T33



Air suspension with 12V or 24V built-in compressor	N/A
Mechanical suspension	●
Weight adjustment	Manual up to 130kgs.
Suspension stroke	60mm
Height adjustment	60mm
Slide travel	150mm
Fold-up armrests	N/A
Backrest adjustment	N/A
Vinyl trim (Vacuum type)	●
Cloth trim (Vacuum type)	▲
2-point seat belt	▲
Document pouch	N/A
Operator presence switch	▲
Testing	EU 1322/2014 Annex XIV - Class I, II - ECE R16.08 - ISO 3795

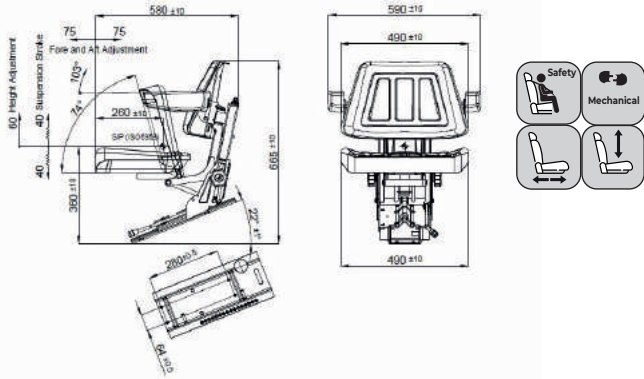


TD63



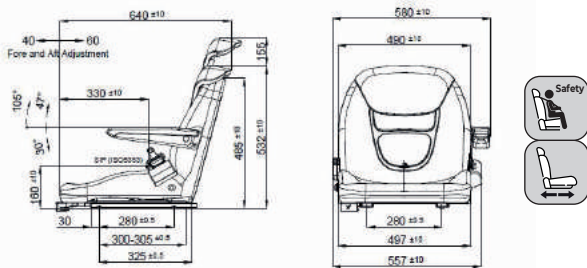
Air suspension with 12V or 24V built-in compressor	N/A
Mechanical suspension	●
Weight adjustment	Manual up to 130kgs.
Suspension stroke	80mm
Height adjustment	60mm
Slide travel	150mm
Fold-up armrests	▲
Backrest adjustment	N/A
Vinyl trim (Vacuum type)	●
Cloth trim (Vacuum type)	▲
2-point seat belt	▲
Document pouch	N/A
Operator presence switch	▲
Testing	EU 1322/2014 Annex XIV - Class I, II - ECE R16.08 - ISO 3795

T63

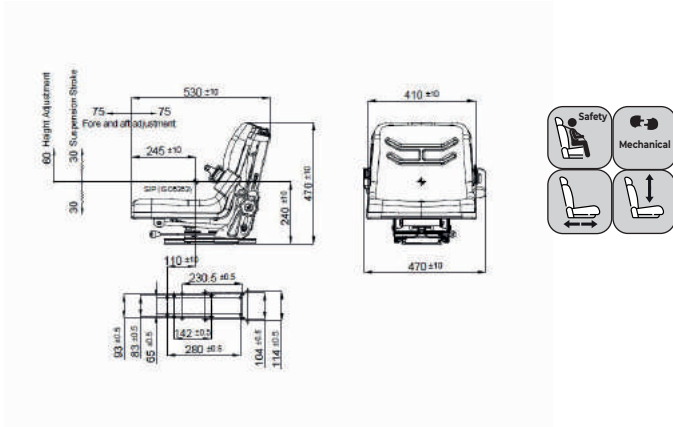


Turn Table	▲
Slide travel	100mm
Lumbar adjustment	N/A
Adjustable / Foldable armrests	▲
Adjustable headrest	●
Backrest adjustment	N/A
Vinyl trim (Vacuum type)	●
Cloth trim (Vacuum type)	▲
2-point seat belt	▲
Standard connection widths	280mm
Testing	ECE R16.08 - ISO 3795

F250



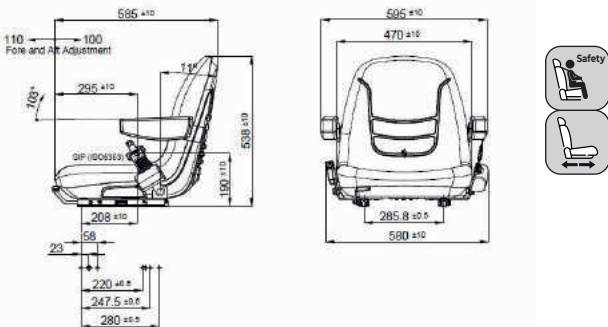
Air suspension with 12V or 24V built-in compressor	N/A
Mechanical suspension	●
Weight adjustment	Manual up to 130kgs.
Suspension stroke	60mm
Height adjustment	60mm
Slide travel	150mm
Fold-up armrests	N/A
Backrest adjustment	N/A
Vinyl trim (Vacuum type)	●
Cloth trim (Vacuum type)	▲
2-point seat belt	▲
Document pouch	N/A
Operator presence switch	▲
Testing	EU 1322/2014 Annex XIV - Class I, II - ECE R16.08 - ISO 3795



B43



Fold-up armrests	▲
2-point seat belt	▲
Vinyl trim (Vacuum type)	●
Operator presence switch	▲
Testing	ECE R16.08 - ISO 3795



CK100



w w w . p i l o t . c o m . t r

O r g a n i z e S a n a y i B ö l g e s i K i r m ı z ı C a d .

N o : 7 1 6 1 4 0 N i l ü f e r , B U R S A / T Ü R K İ Y E

P h o n e . : + 9 0 2 2 4 4 1 1 0 2 8 0

p i l o t @ p i l o t . c o m . t r